

***PIRELLA* CIPOLLINI®**

SPARE PARTS

BOND EVO
DISC

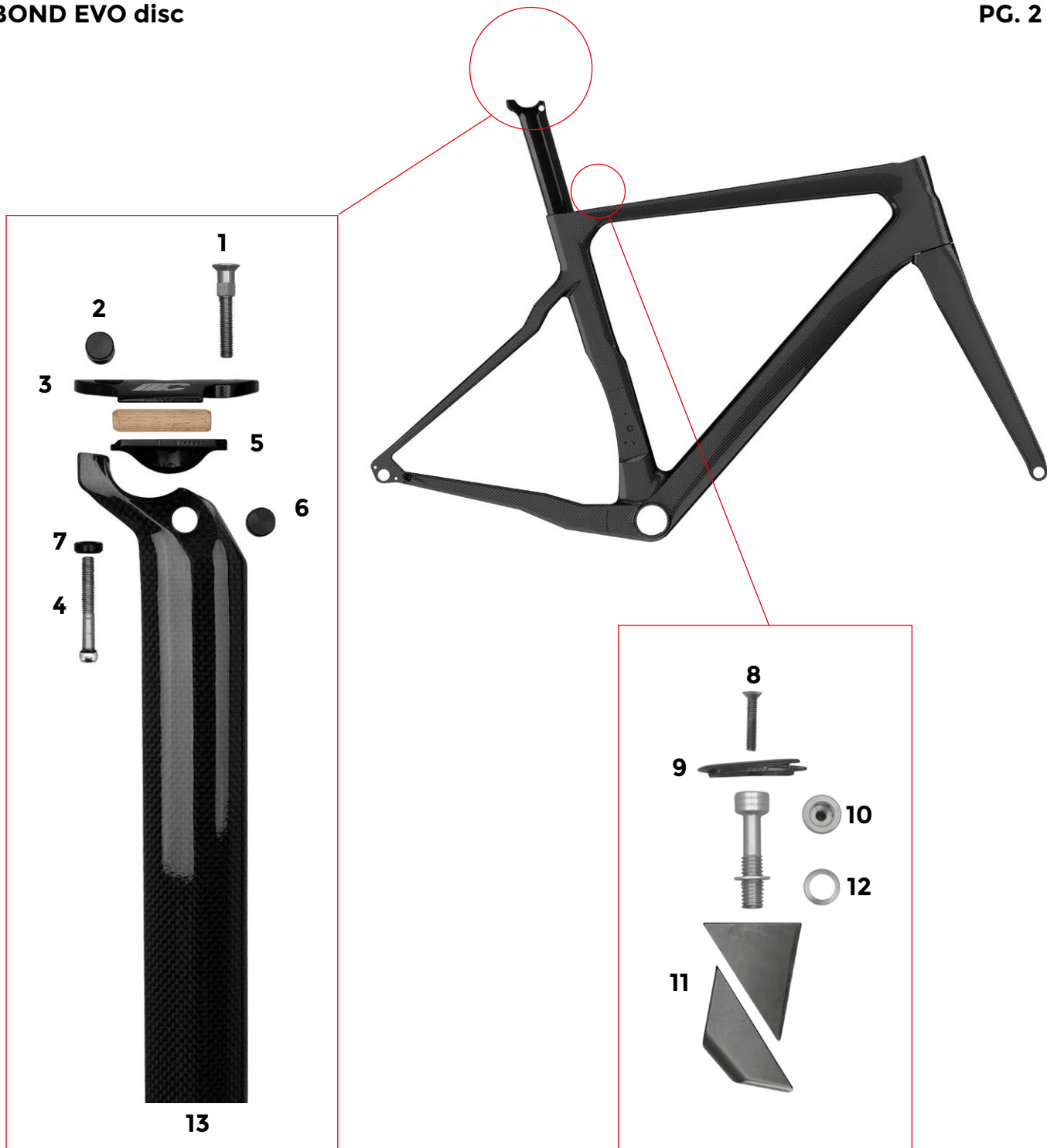
#LiveYourRide

INDEX

SEATPOST KIT BOND EVO 0 mm OFFSET	PG. 1
SEATPOST KIT BOND EVO 15 mm OFFSET	PG. 2
BOTTLE CAGE + BOTTLE	PG. 3
FRONT DERAILLEUR AREA	PG. 4
REAR HANGERS AREA	PG. 5
PIVOTS	PG. 6
HEADSET AREA DCR	PG. 7
HEADSET AREA ACR	PG. 8
ASSEMBLING ACCESSORIES	PG. 9 - 10



ARTICLE	MCIPOLLINI CODE	Variant	Finishing	Size	DESCRIPTION
13	M0210MC120BOND2_0	-	Shiny	-	SEATPOST KIT BOND EVO 0 mm OFFSET
1	011100050	-	-	-	M6 FRONT SCREW FOR SADDLE CLAMP
2	030000121	-	-	-	ø9,6X12mm M5 REAR CYLINDER FOR SADDLE CLAMP
3	030000151	MC_ARR	-	-	UPPER SADDLE CLAMP
4	011100062	-	-	38	M5 REAR SCREW FOR SADDLE CLAMP
5	030000152	-	-	-	LOWER SADDLE CLAMP
6	030000083	-	-	-	ø9,6X12mm M6 FRONT CYLINDER FOR SADDLE CLAMP
7	030000122	-	-	-	øe 12.50 øi 6.10 WASHER FOR REAR SADDLE CLAMP SCREW
8	011100047	-	-	-	M3XL25 SCREW
9	030100021	VERN	Shiny	-	BOND EVO SEATPOST CLAMP COVER
10	011100074	-	-	-	M6 X L.25mm SEATPOST CLAMP SCREW
11	030000225	-	-	-	BOND EVO SEATPOST CLAMP
12	011100104	-	-	-	øe 9,8 øi 6,5 WASHER



ARTICLE	MCIPOLLINI CODE	Variant	Finishing	Size	DESCRIPTION
13	M0210MC120BOND2_15	-	Shiny	-	SEATPOST KIT BOND EVO 15 mm OFFSET
1	011100050	-	-	-	M6 FRONT SCREW FOR SADDLE CLAMP
2	030000121	-	-	-	ø9,6X12mm M5 REAR CYLINDER FOR SADDLE CLAMP
3	030000151	MC_ARR	-	-	UPPER SADDLE CLAMP
4	011100062	-	-	38	M5 REAR SCREW FOR SADDLE CLAMP
5	030000152	-	-	-	LOWER SADDLE CLAMP
6	030000083	-	-	-	ø9,6X12mm M6 FRONT CYLINDER FOR SADDLE CLAMP
7	030000122	-	-	-	øe 12.50 øi 6.10 WASHER FOR REAR SADDLE CLAMP SCREW
8	011100047	-	-	-	M3XL25 SCREW
9	030100021	VERN	Shiny/Matt	-	BOND EVO SEATPOST CLAMP COVER
10	011100074	-	-	-	M6 X L.25mm SEATPOST CLAMP SCREW
11	030000225	-	-	-	BOND EVO SEATPOST CLAMP
12	011100104	-	-	-	øe 9,8 øi 6,5 WASHER



ARTICLE	MCIPOLLINI CODE	Variant	Finishing	Size	DESCRIPTION
1	030000212	-	-	-	MC CARBON BOTTLE CAGE
2	011100079	-	-	-	M5XL12mm SCREW
3	011100063	-	-	-	øE 9 øI 5.5 WASHER
4	030000276	-	-	-	MC JET 550 ml BOTTLE



ARTICLE	MCIPOLLINI CODE	Variant	Finishing	Size	DESCRIPTION
2	03000097	MC	-	-	FRONT DERAILLEUR HANGER
3	01110048	-	-	-	M4XL10 SCREW

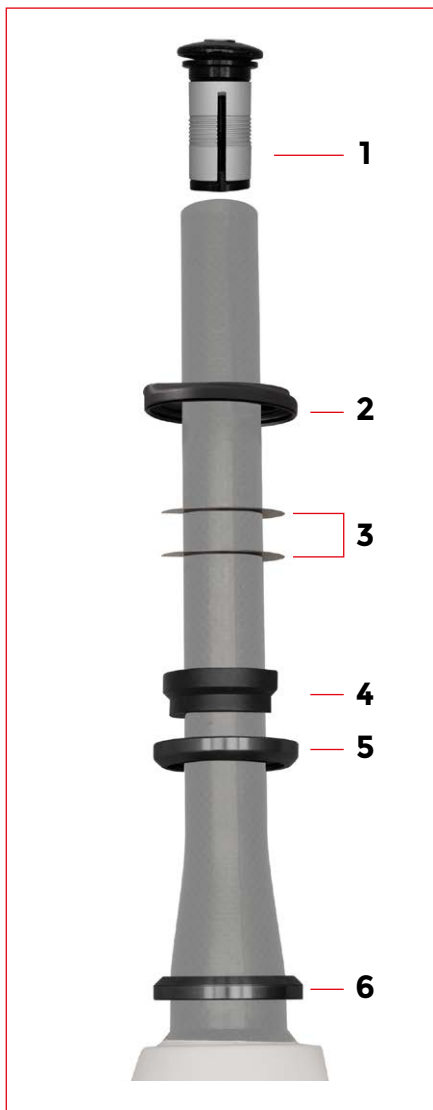


ARTICLE	MCIPOLLINI CODE	Variant	Finishing	Size	DESCRIPTION
1	011100086	-	-	-	M4XL12 SCREW
2	030000251	-	-	-	BOND EVO/DOLOMIA DISC BRAKE LEFT HANGER
3	030000250	-	-	-	BOND EVO/DOLOMIA DISC BRAKE RIGHT HANGER



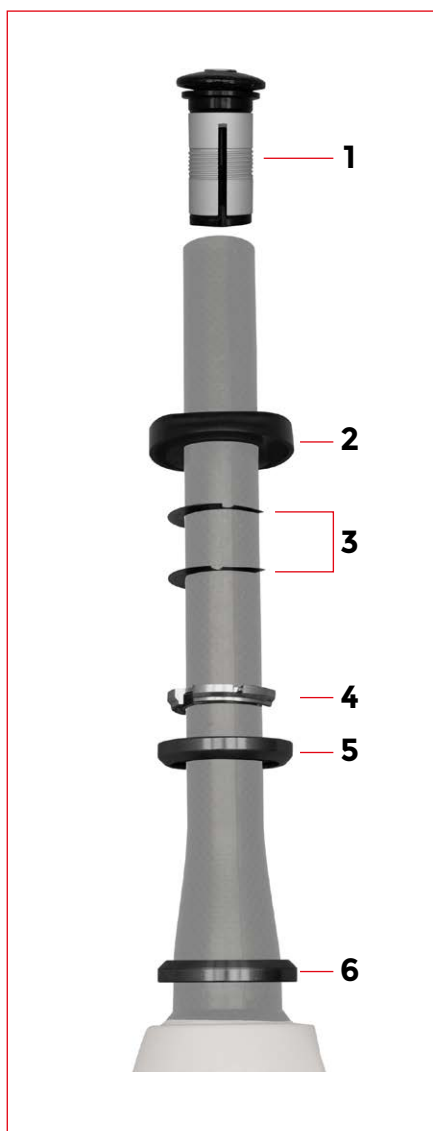
ARTICLE	MCIPOLLINI CODE	Variant	Finishing	Size	DESCRIPTION
1	030000210	MC	-	-	M12X1.5 125 mm FRONT THRU AXLE
2	030000105	-	-	-	STANDARD ALUMINUM THRU AXLE WASHER
3	030000254	MC	-	-	M12X1.5 166 mm SELF CENTERING REAR THRU AXLE
4	030000252	-	-	-	SELF CENTERING ALUMINUM THRU AXLE WASHER
5	011100056	-	-	-	COPPER WASHER

SISTEMA DCR

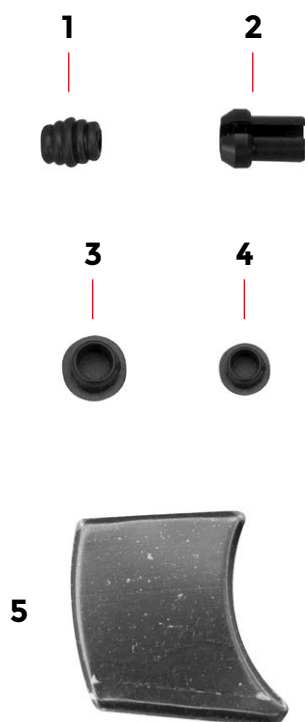


ARTICLE	MCIPOLLINI CODE	Variant	Finishing	Size	DESCRIPTION
1	030000281	-	-	-	EXPANDER FOR 1 1/8 FORK
2	028000056	-	-	-	56 mm 1.5" MCIPOLLINI ALANERA TOP COVER
3	028000058	-	-	-	MICROSPACER DCR MICROSHIMS, STEEL (2PCS)
4	028000057	-	-	-	DEDA DCR 45X45 PA66 COMPRESSION RING
5	030000256	-	-	-	51.9x40x8 45/45 HEADSET BEARING
6	030000004	-	-	-	51.8x40x8 36/45 HEADSET BEARING
7	M0230MC123BONDEVO_DB	VERN	RCRS23	-	RED-CARBON-RED METAL SHINY FORK
	M0230MC123BONDEVO_DB	VERN	WCOS23	-	WHITE PEARL-CARBON-OTTANIO SHINY FORK
	M0230MC123BONDEVO_DB	VERN	CSRS23	-	CARBON-SILVER-RED METAL FORK
	M0230MC123BONDEVO_DB	VERN	PERS	-	MCIPOLLINI FORK

SISTEMA ACR



ARTICLE	MCIPOLLINI CODE	Variant	Finishing	Size	DESCRIPTION
1	030000281	-	-	-	EXPANDER FOR 1 1/8 FORK
2	030000294	-	-	-	TOP COVER MCIPOLLINI IN NYLON FOR ACR NO.55R 1.5/ACR/STD - 16000123000AB2
3	025100524	-	-	-	HSSP MICROSPACER ACR 1-1/8 28.6X0.25mm MW192 (IPC)
4	030000293	-	-	-	COMPRES RING ACR OPEN SILVER ALLOY H2474 16000083000020
5	030000297	-	-	-	1-1/2 36/45 - FSA MR127 HEADSET BEARING
6	030000004	-	-	-	51.8x40x8 36/45 HEADSET BEARING
7	M0230MC123BONDEVO_DB	VERN	RCRS23	-	RED-CARBON-RED METAL SHINY FORK
	M0230MC123BONDEVO_DB	VERN	WCOS23	-	WHITE PEARL-CARBON-OTTANIO SHINY FORK
	M0230MC123BONDEVO_DB	VERN	CSRS23	-	CARBON-SILVER-RED METAL FORK
	M0230MC123BONDEVO_DB	VERN	PERS	-	MYCIPOLLINI FORK



ARTICLE	MCIPOLLINI CODE	Variant	Finishing	Size	DESCRIPTION
1	030000022	-	-	-	GROMMET- ART. 649
2	030000044	-	-	-	D12/EPS REAR DERAILLEUR CABLE PLASTIC
3	030000111	-	-	-	ø8mm HOLES PLASTIC PLUG
4	030000245	-	-	-	ø6mm HOLES PLASTIC PLUG
5	030000238	-	-	-	BOND EVO MC FRAME PROTECTION



ARTICLE	MCIPOLLINI CODE	Variant	Finishing	Size	DESCRIPTION
1	030000019	-	-	-	BAR TAPE STRIPS KIT
2	030000018	-	-	-	225X30 CARBON FRAME PROTECTION
3	030000215	-	-	-	Øi 4.5mm Øe 9mm ANTI VIBRATION HOSE
4	030000053	MC	-	-	5 ml MC CHAIN OIL
5	030000185	MC	-	-	5 g MC DYNAMIC ASSEMBLY PASTE
6	025100369	-	-	-	BATTERY ADAPTOR FOR Di2 / EPS GROUPSETS